



HANOVER™ Owner's Manual

READ AND SAVE THESE INSTRUCTIONS!

Safety and the proper operation of your Casablanca fan both require a thorough knowledge of the product and proper installation; therefore, before attempting to install and operate your Casablanca fan, read this owner's manual completely and carefully. Retain this manual for future reference.

CAUTION: To avoid possible electrical shock, make certain that electricity is turned off at the circuit breaker or fuse box before attempting any installation procedure.

CONTENTS

INTRODUCTION

Before You Start	2
Safe Use	2

MOUNTING RECOMMENDATIONS

General Guidelines	3
Sloped Ceiling Installations	3

FAN INSTALLATION

Getting Started	4
Crossbar Mounting Bracket Installation	4
Lag Screw Installation (Optional)	5
Canopy Installation	5
Blade Installation	6
Fan Preparation	6
Hanging the Fan	7
Canopy Electrical Connections	8
Canopy Hatch Installation	8
Switch Housing Installation	8
Optional Light Kit Installation	9

VERSA•TOUCH2™ CONTROL INSTALLATION

Control Bracket Installation	10
Changing Transmitter Frequency Setting	11
Remote Operation	11

TROUBLESHOOTING TIPS

CARE RECOMMENDATIONS

AUTHORIZED SERVICE CENTERS

PRODUCT SPECIFICATIONS

INTRODUCTION BEFORE YOU START

- **CAUTION: RISK OF ELECTRICAL SHOCK!** Installation is to be in accordance with the National Electrical Code, ANSI/NFPA 70-1999, and local codes. All wiring must be performed in accordance with national and local electrical codes. If you are unfamiliar with the wiring codes, you should use a qualified electrician. To avoid overheating and possible damage to other equipment, do not install control to a receptacle, fluorescent light fixture, motor operated appliance, or transformer-supplied appliance.
- This fan is designed to be installed on an existing electrical outlet box. The outlet box must be UL Listed for ceiling fan installations, if it is not, a new box must be installed. Casablanca extension poles are available for sloped or high ceiling installations.
- This ceiling fan requires a grounded electrical supply of 120 VAC, 60 Hz and a minimum 15 amp circuit. The maximum current requirement for the fan with light fixture is 2.83 amps. The fan uses about 1 amp or 100 watts. Maximum light current is about 1.83 amps or 220 watts of lighting.
- Where wire nuts are employed, be sure all bare wires are within the connectors. When installing the canopy hatch, make sure all wires are within the canopy and that no wires are being pinched.
- **WARNING:** Do not bend the blade brackets when installing the brackets, balancing the blades or cleaning the fan. Do not insert foreign objects in between the rotating fan blades.
- **WARNING:** To reduce the risk of fire or electric shock, do not use this fan with any solid state speed control device. Use only the control provided with or recommended for this fan.

Unpacking

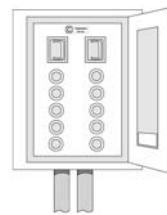
Before assembling and installing your ceiling fan, remove all parts from the shipping cartons and check them against the parts listed in the parts guide. Before discarding packaging material, be certain that all parts have been removed.

**For best performance and for your warranty to be valid,
use only genuine Casablanca blades, light fixtures, and accessories.**

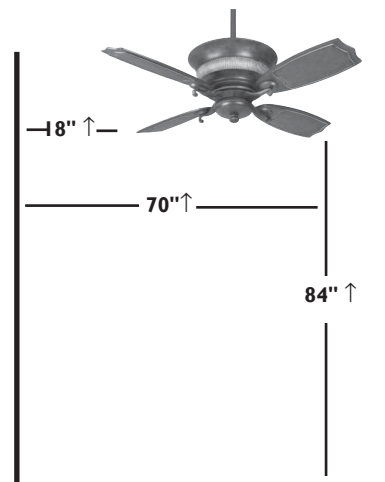
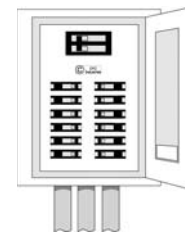
SAFE USE

- The blades in each pack are matched for equal weight to assure smooth fan operation. If more than one fan is being installed, be careful not to mix blades from different cartons.
- Inspect the contents of your carton for possible shipping or handling damage and report any such damage directly to your authorized Casablanca dealer.
- It is always a good idea to have an assistant to help with the installation.
- When cleaning, painting, or working near your fan, be very careful of the fan and blades. Always turn the power OFF to the ceiling fan before servicing it, working on it, or replacing lightbulbs.
- Never insert anything into the path of the fan blades while the fan is in operation.
- Never install a fan over a pool or spa.
- Never operate a fan that has been damaged in any way. Contact Casablanca Fan Company by calling 1-888-227-2178, or contact your local authorized Casablanca dealer for assistance in obtaining service.

Fuse Box
(Remove fuse for the circuit you will be working on)



Circuit Breaker
(Trip breaker for the circuit you will be working on)





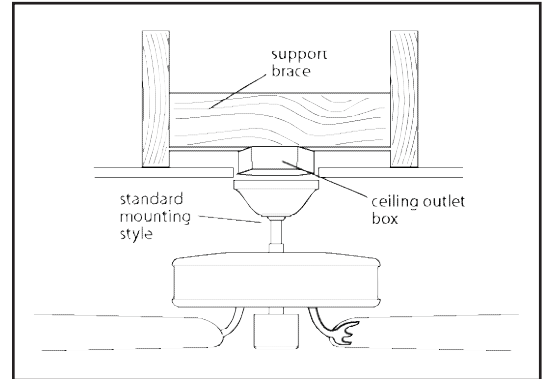
MOUNTING RECOMMENDATIONS GENERAL GUIDELINES

Before mounting your Casablanca fan, read the following helpful recommendations. The location of the fan, air circulation, and fan size are all important factors to consider before installation.

Location

Ceiling fans have practical uses in almost every room in your home. We suggest you follow these mounting recommendations as you decide where to install your Casablanca fan.

- For safety reasons, the fan blades must be a minimum of 7' above the floor.
- Do not locate the fan in a doorway or above a swinging door.
- In bedrooms, fans work best when mounted above the foot of the bed.
- Over pool tables, be sure to provide plenty of clearance to avoid damage from pool cues.
- In kitchens be sure to allow for open cupboard doors to clear the fan blades.
- Do not install a fan close to, or over, a pool or spa. High humidity combined with corrosive gases will destroy the finish and warp the blades.



Fan Size

Variable fan speed capability permits the use of a full-size 52" fan even in smaller rooms. For very large rooms, two fans may be needed.

SLOPED CEILING INSTALLATIONS

SUGGESTED EXTENSION POLE LENGTHS	
Ceiling Height	Pole Length
8' 0"	Standard
8' 6"	Standard
9' 0"	6"
9' 6"	12"
10' 0"	12"
11' 0"	18"
12' 0"	24"
13' 0"	36"
14' 0"	48"

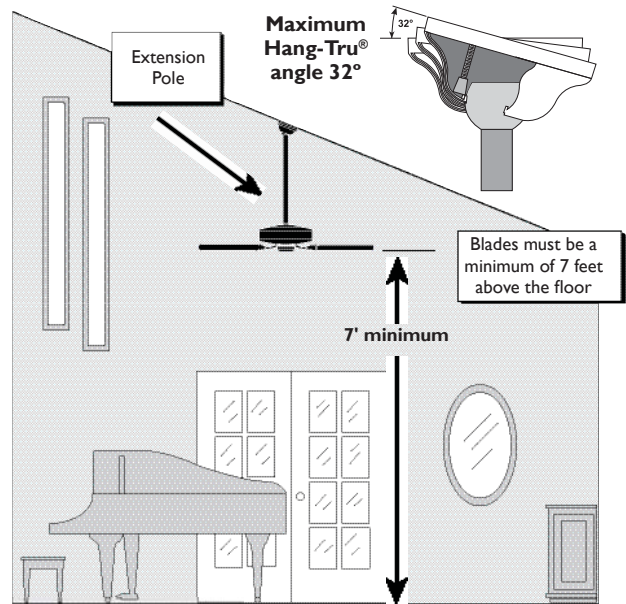
When to Use Extension Poles

For best performance and best appearance, an extension pole should be used with your Casablanca fan when installing on high (cathedral) ceilings or sloped ceilings. Casablanca offers standard poles in increments of 6" up to 5'. Custom poles are available in lengths up to 9'9". See your Authorized Casablanca Dealer for details.

NOTE: Fan may wobble or vibrate if pole length is not long enough and inside blade is too close to downslope or side wall. Extending pole length will usually solve problem.

Calculation of 32°

Use the tear-off *Ceiling Angle Template* card inserted in this manual. It provides you with a simple "go" or "no-go" for installing your fan on a sloped ceiling.



This slope is less than 32°. It is OK to install your fan.



This slope is 32½. This is the maximum slope that will allow the fan to hang straight down. It is OK to install your fan.



This slope is more than 32°. Your fan will not hang straight down, an adaptor is necessary. Contact your local Authorized Casablanca Dealer in regards to purchasing a "Sloped Ceiling Adaptor."

FAN INSTALLATION GETTING STARTED

Installing a New Ceiling Fixture Outlet Box

If you do not have an existing fixture located where you wish to place your Casablanca fan, an approved ceiling fixture outlet box must be installed and wired.

WARNING!

To reduce the risk of fire, electrical shock, or personal injury, mount to outlet box marked "Acceptable Fan Support of 22.7 kg (50 lbs.) or less" using the mounting hardware provided with the outlet box.

Using Existing Ceiling Fixture Outlet Box

After turning the power OFF at its source (either circuit breaker or fuse box), lower the old fixture and disconnect the wiring. Check the ceiling fixture outlet box to be sure that it is marked "Approved for Ceiling Fan Mounting." If it is not, a new box must be installed.

Note: The weight of this fan is 34 pounds.

CROSSBAR MOUNTING BRACKET INSTALLATION

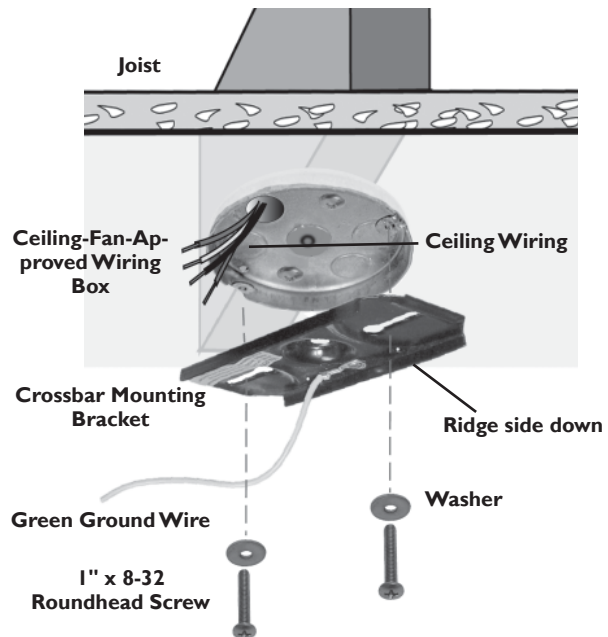
CEILING HARDWARE (not to scale)



Note: After removing the old fixture, check the outlet box to ensure it is supported by a joist or beam across its upper surface. If not, a 2"x4" stud must be installed.

Step 1a. Remove the knockout plug in the center of the outlet box or drill a 1/2-inch hole for the lag screw to pass through. Then drill a 1/4-inch guidehole into the joist or beam to a depth of 3 inches.

Step 1b. Route the outlet box wires through the keyhole slot of the crossbar mounting bracket as shown. Attach the crossbar mounting bracket to the outlet box with the screws provided, assuring that the outlet box wires are not pinched by the washer.



CAUTION:

To reduce the risk of personal injury, use only the mounting hardware provided with the approved outlet box to install the crossbar mounting bracket.

WARNING!

Support directly to building structure only.

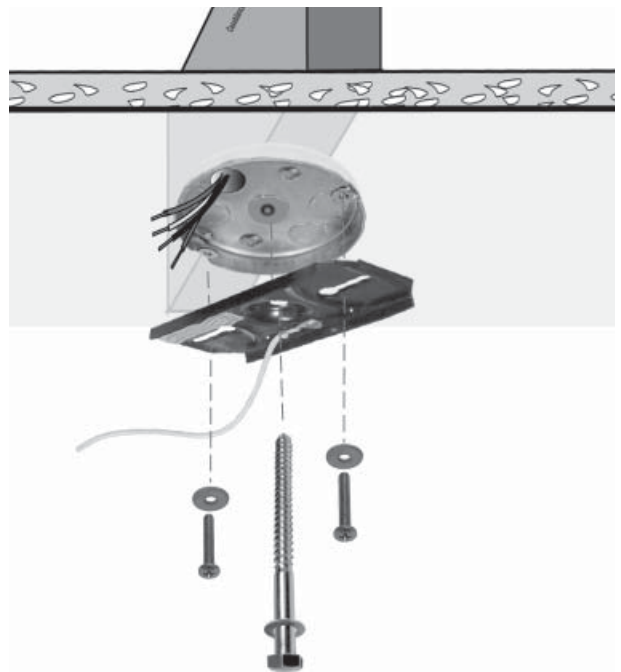




LAG SCREW INSTALLATION (OPTIONAL)

NOTE: This step is required only under two conditions: If the fan weighs 36 lbs. or more (which does not pertain to this fan) or if the existing ceiling fixture outlet box needs to be modified for a ceiling fan application (for example, if the house is not new construction and you are replacing an existing light fixture). We recommend that the ceiling box be of sufficient capacity to support the weight of the fan and light fixture under any conditions. If in doubt whether you need to install the lag screw, consult a qualified electrician.

Step 2 (optional). With the large washer attached, pass the lag screw (Pack A) through the center hole of the crossbar mounting bracket and screw into guide hole. Tighten until outlet box is mounted firmly to beam. This box must be secured to the ceiling firmly.



CANOPY INSTALLATION

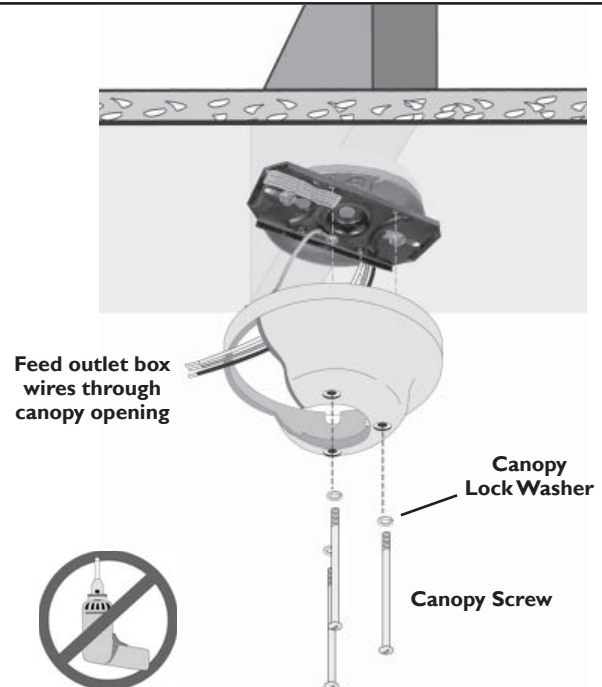
CANOPY HARDWARE (not to scale)



Pack B:
Canopy Screws and
Lock Washers (5)

Step 3. Attach the canopy to the crossbar mounting bracket with three of the 8-32 x 2 1/2" long canopy screws (Pack B) and lock washers provided with your Casablanca fan. Tighten using the provided screwdriver until snug against the ceiling.

NOTE: On sloped ceilings, align the canopy opening with the top or peak of the room.



BLADE INSTALLATION

BLADE HARDWARE (not to scale)



Blades (4)



Blade Irons (4)



Pack C:
Blade Screws and Washers (17)



Pack D:
Blade Iron Screws (9)

Attach Blade Irons

Step 4. Using the screws in Pack C and the provided screwdriver, attach the blades to the blade holders by aligning the screwholes of the blade iron with the holes in the blade. Attach the blade iron using the four blade screws provided for each blade, as shown. Tighten securely *by hand only*.

Blade Installation:

Step 5. Using the screws in Pack D and the provided screwdriver, attach the blade assembly to the motor as shown. Tighten screws *by hand only*.

TIP: For balancing purposes, loosely install all four blades to the motor before tightening the blade screws securely.



CAUTION:

Blade screws must be tightened securely before operating the fan.

FAN PREPARATION

PERMA•LOCK™ HARDWARE (not to scale)



Uplight Lightbulbs S-II 25-watt (4)



Allen Wrench



3" Perma•Lock™ Downrod and Ball Assembly

IMPORTANT SAFETY INFORMATION:

Before starting the installation of your ceiling fan, install the threaded downrod into the motor coupling and lock the assembly.

Prepare for fan installation as follows:

Step 6a. Remove the paper shield from the motor.

Step 6b. Route the wires through the Perma•Lock™ downrod and ball assembly.

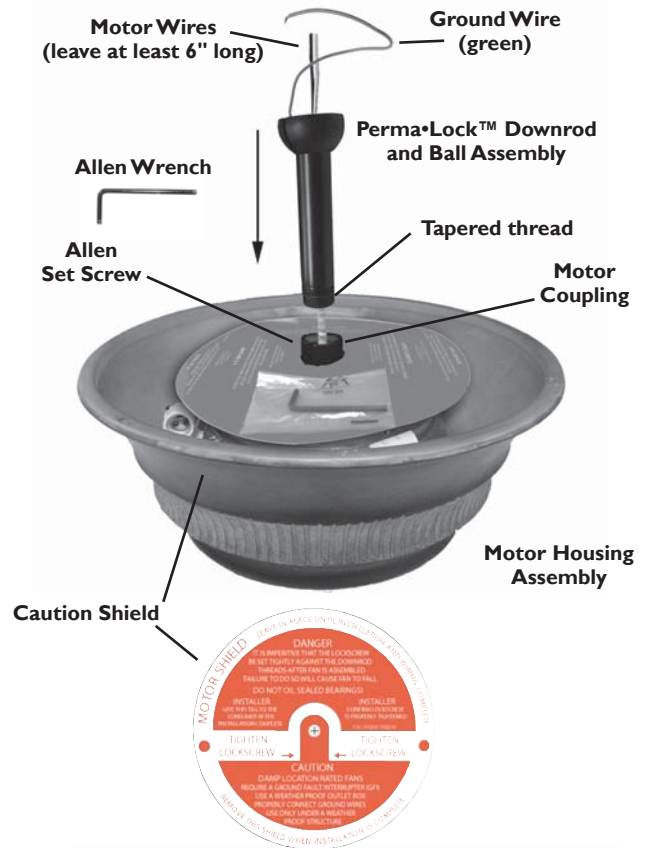


FAN PREPARATION (CONT.)

TIP: The downrod has a tapered thread that is designed to lock completely when installed correctly.

Step 6c. Using the provided Allen wrench (attached to the paper motor warning shield), remove the Allen set screw from the hanger adaptor and set it aside. Insert the downrod into the motor coupling and turn it clockwise until it stops turning, ensuring that the pole has bottomed out.

Step 6d. While holding the adaptor motor cover securely, insert the set screw and tighten it with the provided Allen wrench to ensure safe operation of your fan. If it is tight enough, you should not be able to turn the downrod counterclockwise with your hands. If in doubt, tighten the set screw with the Allen wrench until you cannot turn it any further.



CAUTION: Failure to fully lock in the downrod before securely tightening the Allen set screw may cause the fan to separate from the downrod and fall during normal operation.

Install Incandescent Lightbulbs

Step 7. Screw in four 25-watt incandescent lightbulbs as shown.

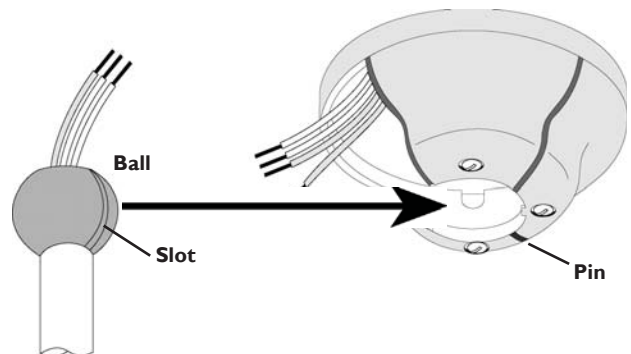
NOTE: When replacing lightbulbs, be sure to use only 25-watt maximum.



HANGING THE FAN

Step 8a. To hang the fan body in the canopy, hold the fan body firmly and insert the ball into the canopy opening. Check that no wires were pinched. Rotate the fan body until the slot in the ball fits into the pin opposite the canopy opening.

Step 8b. Trim excess motor wires, leaving at least 6 inches above the downrod. Strip 1/2-inch insulation from the end of each wire using a wire stripper (available at your local hardware store). The splices after being made should be turned upward and pushed carefully into the outlet box.



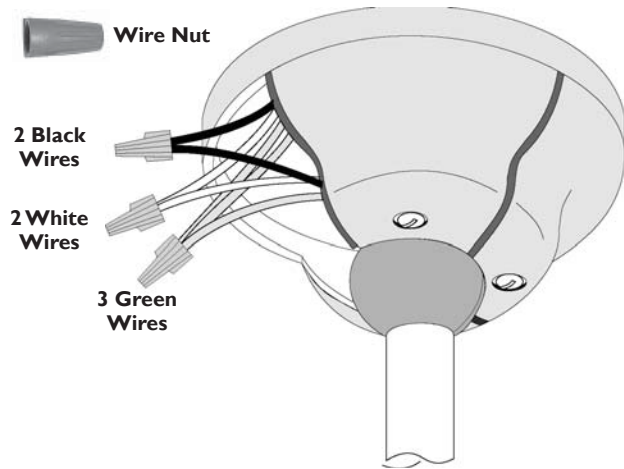
CANOPY ELECTRICAL CONNECTIONS

Step 9. Attach the fan wires to the ceiling fixture outlet box wiring by placing the bare ends of the wires side by side and then securing with a wire nut. Test that the connection is secure by pulling on the wire nut. Connect in this order:

- GREEN leads from mounting plate and downrod assembly of fan to GROUND conductor of power source. Secure with wire nut.
- WHITE wire from fan to white NEUTRAL wire in ceiling fixture outlet box. Secure with wire nut.
- BLACK power wire from fan to black POWER wire in ceiling outlet box. Secure with wire nut.

After making the wire connections, the wires should be spread apart with the grounded conductor and the equipment-grounding conductor on one side of the outlet box and the ungrounded conductor on the other side of the outlet box.

NOTE: If the color of your ceiling wires differs from that described, consult an electrician.



CANOPY HATCH INSTALLATION

Step 10a. Tuck the wires into the canopy with the wire nuts pointed upwards, so that the WHITE and BLACK wires are on opposite sides of the canopy and all wires are clear of the canopy opening.

Step 10b. Install canopy hatch with the last canopy screw and lock washer using the provided screwdriver. To do this, tilt the fan body away from the hatch opening. Tighten the screws firmly.

Step 10c. Straighten the fan, then check to ensure that there is no movement between the canopy and the ceiling or the Perma•Lock™ downrod and the ball assembly.



SWITCH HOUSING INSTALLATION

SWITCH HOUSING HARDWARE (not to scale)



Switch Housing Mounting Plate



No Light Cap Adapter Plate



Switch Housing Cap

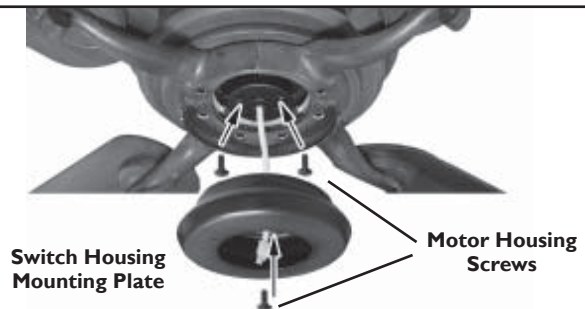


**Pack E:
Motor & Switch Housing Mounting Plate Screws (6)**

Step 11a. Using screws from Pack E and the provided screwdriver, install two screws into the motor bottom housing as shown.

Step 11b. Route the light connector wires through the switch housing mounting plate as shown.

Step 11c. Align the switch housing mounting plate with the two screws in the motor bottom housing and turn counterclockwise to align the keyhole slots in the plate with the two screws as shown.





SWITCH HOUSING INSTALLATION (CONT.)

Step 11d. Install the third screw and securely tighten all three screws *by hand only* using the provided screwdriver.

Note: If you are not installing the optional light kit proceed to step 12. If you are installing the light kit, proceed to step 13.

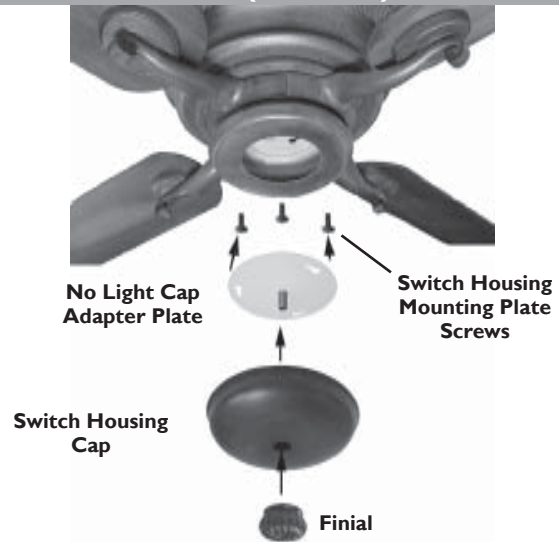
Installing the No Light Cap

Step 12a. Using Pack F and the screwdriver provided; install each of the 3 screws into the switch housing mounting plate, as shown.

Step 12b. Align the keyhole slots in the cap adaptor plate with the three screws in the switch housing mounting plate and turn counterclockwise to align the keyhole slots with the three screws. Securely tighten all three screws, *by hand only*.

Step 12c. Remove the finial from the no-light cap adaptor plate.

Step 12d. Install switch housing cap. Thread finial onto threaded rod of cap adaptor plate and tighten securely.



OPTIONAL LIGHT KIT INSTALLATION

LIGHT KIT HARDWARE (not to scale)



Socket Plate



Glass Shade



60-watt B-10 bulb
(Candelabra-base)

Step 13a. Using pack "E" and screwdriver provided; install three screws into the Light Assembly Adapter Plate, as shown.

Step 13b. Connect the Light Assembly connector to the motor connector.

Step 13c. Carefully tuck the wires and align the keyhole slots in the Light Assembly with the three screws in the adaptor plate. Turn counterclockwise to align the keyhole slots with the three screws.

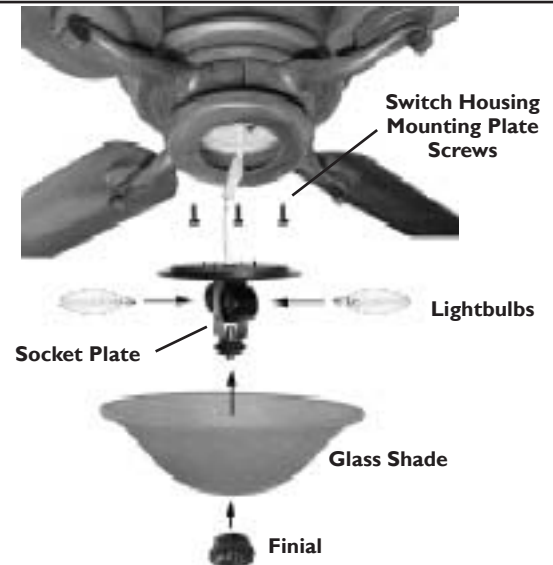
Step 13d. Securely tighten all three screws *by hand only*.

Install Incandescent Bulbs

Step 14. Screw in two 60-watt B-10 Candelabra-base bulbs.

Glass Installation

Step 15. Remove the finial from the No-Light Cap Adaptor Plate. Insert the threaded rod from the Light Assembly through the hole in the glass shade, as shown. Twist the finial onto the threaded rod. Tighten securely.



VERSA•TOUCH2™ CONTROL INSTALLATION

VERSA•TOUCH2™ HARDWARE (not to scale)



**W-73
Control**



**W-73
Control Holder**



12v Battery



**Drywall Anchor
6-32 (2)**



**Wood
Screw
1" (2)**



**Screw
6-32 X 3/8"
(2)**



**Screw
6-32 X 1"
(2)**

CONTROL BRACKET INSTALLATION

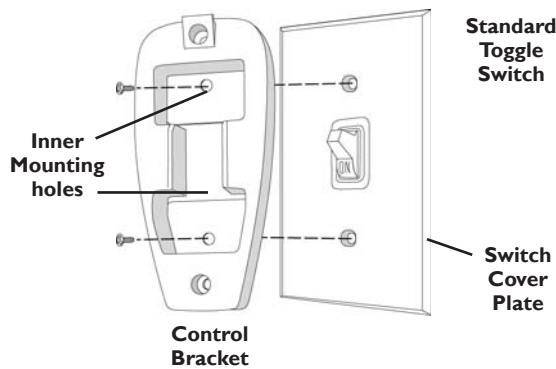
SAFETY FIRST: To reduce the risk of electrical shock, this fan must be installed with an isolating wall control/switch.

CAUTION! Do not use with wall dimmer.

WARNING: To reduce the risk of fire or electric shock, do not use this fan with any solid state speed control device.

Use only the control provided with this fan.

Step 16. Follow instructions for the type of transmitter control bracket you will be using.

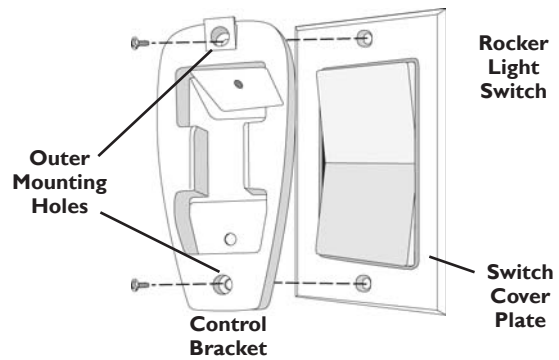


Standard Light Switch

Step A. Remove the two screws holding the switch cover plate. Do not remove the cover plate.

Step B. Orient the control bracket as shown and line up the two inner mounting holes with those on the switch.

Step C. Insert and tighten the screws using the provided screwdriver.



Rocker Light Switch

Step A. Break off the two tabs by pushing outward.

Step B. Remove the two screws holding the switch cover plate. Do not remove the cover plate.

Step C. Orient the control bracket as shown and line up the two inner mounting holes with those on the switch.

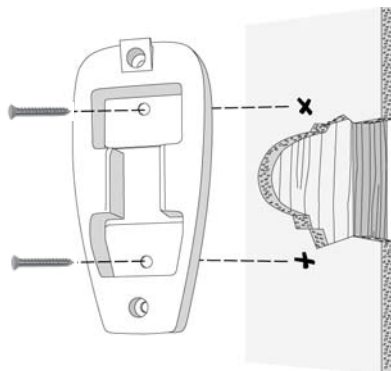
Step D. Insert and tighten the screws using the provided screwdriver.

Wall Installation

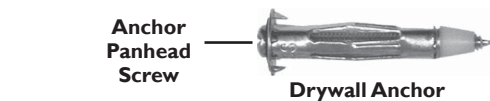
Step A. Locate a 2x4 wall stud in a convenient location.

Step B. Orient the control bracket as shown over the 2x4 stud.

Step C. Insert the 1" wood screws in either the inner or outer mounting holes and tighten using the provided screwdriver.



NOTE: The wall anchors and 6-32 x 1" screws may be used in situations where mounting to a stud is not possible. Use the inner mounting holes. After securing the anchor, discard the anchor's pointed screws and use the 6-32 decor ovalhead screws supplied.



**Wood
Screw 1"**

**Decor
Ovalhead Screw
6-32 X 1"**

REMOTE OPERATION

Fan Control

To start the fan. Press the selected speed button to run the fan at the desired speed.

LOW=Low speed MED=Medium speed HIGH=High speed

To turn off the fan, press the FAN OFF button.

Airflow Direction

To reverse the airflow, press the REVERSE button. REVERSE operates at any speed whether the fan is on or off. The fan returns to its set speed after reversing.

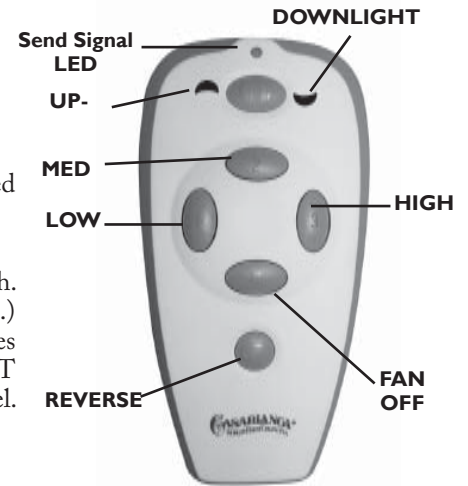
Light Control

Turn the light on or off independently from the fan by pressing the LIGHT rocker switch. (Press the left side for the uplight, right side for the downlight, and the middle for both.)

If you press the button for more than 0.7 seconds, it becomes a dimmer. The light varies from "bright" to "dim" over approximately 8 seconds. If you continue to hold the LIGHT button, this sequence will reverse when the light reaches its brightest or dimmest level. Release the button when the desired level is reached.

Auto Resume

Quick (pressing less than 0.7 seconds) on/off operation of the LIGHT button maintains the desired brightness level set previously.



CHANGING TRANSMITTER FREQUENCY SETTING

Note: All fans leave the factory set to "00000."

You will only have to change the dip switch settings in the remote if you are using more than one fan in the same area and want to control them separately.

Step 1. At the circuit breaker or fuse box, turn the power off for the fan you want to change.

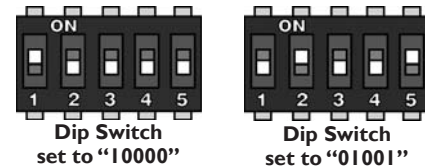
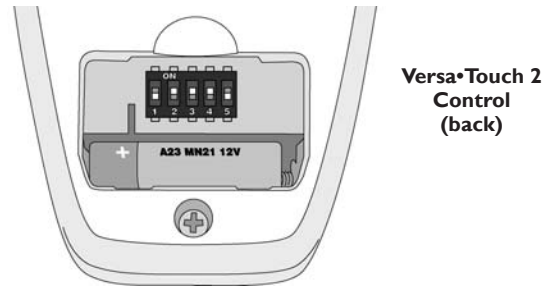
Step 2. Open the battery door of the Versa•Touch control and remove the batteries.

Step 3. Change the dip switch settings, assuring that they are different from the previously installed Versa•Touch fan.

Step 4. Reinstall the batteries and the battery door on the control.

Step 5. At the circuit breaker or fuse box, turn the power back on for the fan whose frequency you are changing.

Note: You may want to label your controls to assure you do not mix them up.



WARNING!

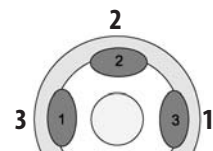
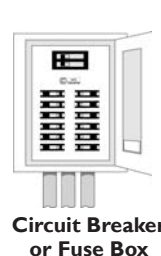
Do not turn the power off at the circuit breaker, then back on, for the previously installed Versa•Touch2 fan(s), as you may inadvertently change the frequency settings for it as well.

If the fan is not functioning after installation:

Step 1. Check to make sure that batteries are installed correctly in the control.

Step 2. Turn the power off to the fan (from the circuit breaker) for at least 5 seconds.

Step 3. Turn the power back on (at the circuit breaker) and push the HIGH, MED, and LOW buttons—in that order—within 20 seconds. The fan should now function properly.



Press in this order to set new frequency:
1. HIGH 2. MED 3. LOW

TROUBLESHOOTING TIPS

Please refer to this troubleshooting guide before requesting service or contacting your dealer for assistance.

PROBLEM	POSSIBLE REMEDIES
Fan will not start	<ul style="list-style-type: none"> • Check the main circuit fuses, circuit breakers, and wall switch position. Check all wire connections. Make sure the power is turned off during this inspection. • The battery is weak. Install a fresh battery. • The fan receiver is defective. Replace fan receiver. • Check the frequency setting: Turn the power off at the circuit breaker, only for the fan that is not functioning. Check that the jumper switches match in both the receiver and the transmitter.
Fan wobbles or shakes excessively	<ul style="list-style-type: none"> • Be sure the canopy pin is set properly into the slot on the ball. • Check that the bladeholders have not been bent during installation and the blades are balanced. • The hanger bracket and/or ceiling outlet are attached too loosely. Make sure the hanger bracket is attached tightly to the ceiling outlet box and the downrod assembly is secured firmly. • The downrod is attached to downrod base too loosely. Make sure all the screws are securely tightened.
Fan is noisy during operation	<ul style="list-style-type: none"> • Check and tighten the light fixture retaining screws, glass shade screws, and/or lightbulb(s). • Tighten the canopy screws and mounting plate assembly. Make sure the wire nuts inside the canopy and switch housing are not touching the metal parts and that they have not fallen off the wire splices. Tighten as necessary. • Tighten the blade holders to the flywheel (or direct drive motor) and the blades to the bladeholder screws. • Make sure all screws in the motor housing are snug but not overly tight.
Fan does not run on low speed	<ul style="list-style-type: none"> • If fan is new, it may need to be “broken in.” Run at high speed for several days.
Battery life is short	<ul style="list-style-type: none"> • Replace with alkaline batteries.
Light works, but fan does not work	<ul style="list-style-type: none"> • The fan wires are not connected properly. Follow the instructions in Step 9.
Fan and light run only on full speed	<ul style="list-style-type: none"> • The fan receiver is defective. Replace fan receiver.
Fan is missing one speed	<ul style="list-style-type: none"> • The fan receiver is defective. Replace fan receiver.
Fan does not change speed, but light works	<ul style="list-style-type: none"> • The fan receiver is defective. Replace fan receiver.
Reverse does not work	<ul style="list-style-type: none"> • The fan receiver is defective. Replace fan receiver.
Fan starts working by itself	<ul style="list-style-type: none"> • There is frequency interference. Change frequency as described on Page 11.
Fan operates only when transmitter is close	<ul style="list-style-type: none"> • Check that antenna wire is not touching metal plate.
Fan works, but light does not dim	<ul style="list-style-type: none"> • The fan receiver is defective. Replace fan receiver.
Fan works, but light does not work	<ul style="list-style-type: none"> • The fan receiver is defective. Replace fan receiver. • The light socket is broken. Replace socket. • A lightbulb is defective. Replace lightbulb.



CARE RECOMMENDATIONS

Fan Finishes

- For cleaning, a soft brush or lint-free cloth should be used to prevent scratching the finish.
- A vacuum cleaner brush nozzle can remove heavier dust.
- Surface smudges or an accumulation of dirt and dust can be removed easily by using a mild detergent and slightly dampened soft cloth. An antistatic agent may be used, but *never use abrasive cleaning agents* as these will damage the finish.

Blades

- Wood-finish blades should be cleaned with a furniture polishing cloth. Occasionally, a light coat of furniture polish may be applied for added protection and beauty.
- For painted and high-gloss blades, surface smudges or an accumulation of dirt and dust can be removed easily by using a mild detergent and slightly dampened soft cloth. An antistatic agent may be used, but *never use abrasive cleaning agents* as these will damage the finish.

No Need for Lubrication

- *Never lubricate this fan!* The precision motor at the heart of your Casablanca fan features sealed bearings that are lubricated for life.
- Do not attempt to oil the motor.

Changing Lightbulbs

- Be sure to turn the power to OFF at the wall switch or circuit breaker before changing lightbulbs.
- Replace bulbs with the same type as you removed from the light fixture.
- The maximum wattage rating for this fan's light kit is 100 watts for the uplight, 120 watts for the downlight.

For questions or to locate the nearest Casablanca Authorized Service Center call toll free: 1-888-227-2178
or visit us on the web at: www.casablancafanco.com

This device complies with Part 15 of the FCC rules. Operation is subject to the following two conditions:

1. This device may not cause harmful interference.
2. This device must accept any interference received, including interference that may cause undesired operation.

This equipment has been tested and found to comply with the limits for a class B digital device, pursuant to Part 15 of the FCC rules. These limits are designed to provide reasonable protection against harmful interference in a residential installation. This equipment generates, uses, and can radiate radio frequency energy and, if not installed and used in accordance with the instructions, may cause harmful interference to radio communication. However, there is no guarantee that the interference will not occur in a particular installation. If this equipment does cause harmful interference to radio or television reception, which can be determined by turning the equipment off and on, the user is encouraged to try to correct the interference by one or more of the following measures:

- Reorient or relocate the receiving antenna.
- Increase the separation between the equipment and receiver.
- Connect the equipment into an outlet on a circuit different from that to which the receiver is connected.
- Consult the dealer or an experienced radio/TV technician for help.

NOTE: Any changes or modifications to the transmitter or receiver not expressly approved by Casablanca Fan Company may void one's authority to operate this remote control.

AUTHORIZED SERVICE CENTERS

STATE/CITY	ZIP	SERVICE CENTER NAME	PHONE	TYPE
ALASKA				
Anchorage	99518	Bering Sea Eccotech	907-563-7988	
ALABAMA				
Mobile	36618	Azalea City Service Ctr.	251-341-0663	
Tuscaloosa	35405	Lighting Plus	205-345-8900	
ARIZONA				
Green Valley	85614	Goble Electric	520-625-4938	
Mesa	85204	Gallery of Fans	480-962-0477	
Mesa	85210	Loud Inc. dba Fans Plus	480-827-9302	
Phoenix	85032	Brasswinds Fan Doctor	602-482-1881	
Phoenix	85019	Fantastic Electric	602-866-1090	
Prescott	86305	Marc Parent	928-778-5935	
Scottsdale	85254	Vandervoort Electric	602-996-9637	
Sedona	86336	Oak Creek Audio	928-282-5625	
Tucson	85735	Desert Breeze Fan & Elec.	520-623-4646	
Tucson	85716	Illuminations	520-325-3031	WTS
Tucson	85711	Sun Lighting Company	520-322-4303	WTS
Youngtown	85363	Brasswinds Fan Doctor	623-933-0240	
Yuma	85364	Curley's Litehouse	928-783-6931	
ARKANSAS				
Little Rock	72212	The Randy Hall Co. Inc.	501-227-9915	
CALIFORNIA				
Auburn	95603	The Fan Doctor	530-823-8768	
Bakersfield	93306	Hillcrest Lighting	661-324-0649	
Bakersfield	93309	RB Electric & Lighting	661-831-2438	
Cathedral City	92234	R & R Service	760-324-2942	
Cerritos	90703	Comforts of Home	562-865-6666	ISO
Chico	95928	J & J Lighting	530-342-1815	ISO
Clovis	93612	Omega Services Inc.	559-299-0495	ISO
Folsom	95630	Folsom Lighting Co.	916-983-5575	
Fresno	93711	James & Co. Lighting	559-486-7900	ISO, WTS
Fresno	93704	Larry McCollum	559-438-5764	
Fresno	93710	The Energy Saving House	559-432-1500	ISO
Glendale	91208	Fantastic Fan Service	800-800-3871	
Grass Valley	95945	Accent Lighting	530-477-5483	ISO
Huntington Beach	92647	Trading Post Fan Company	714-848-4353	
Jamestown	95327	Da Silva's Lamp & Clg.	209-984-4035	
Los Alamitos	90720	Jaben Holdings	562-594-1249	ISO
Manteca	95336	Manteca Lighting	209-823-1999	ISO
Mission Viejo	92691	Moore's Sew, Vac, & Fan	949-580-2520	ISO, WTS
Modesto	95350	Phillips Lighting & Home	209-524-6287	WTS
Moorpark	93021	R.J. Sieg Elect. Co.	805-523-7434	
Murrieta	92562	Fan Diego	951-600-7867	ISO, WTS
Newhall (Santa Clarita)	91321	Dan Martin	661-252-5769	
Pleasanton	94588	S & L Lighting Services	925-895-3762	
Rancho Mirage	92270	Fan Diego	760-779-9916	ISO
Redding	96002	North Valley Lighting	530-221-6277	ISO, WTS
Riverside	92505	Verne Smith	951-687-9552	
Sacramento	95819	A & A Light Fixtures	916-452-7641	ISO
San Diego	92111	Fan Diego	858-292-9244	ISO
San Francisco	94109	House of Fans Inc.	415-885-1947	ISO
San Marcos	92069	Fan Diego	760-743-3267	ISO
San Marcos	92069	RD Electrical Cont.	760-727-1215	
San Rafael	94901	Raffles Fans	415-456-6660	ISO
Santa Clara	95051	Sal Zamora's Fan Repair	510-742-5560	
Santa Cruz	95062	Riverside Lighting	831-423-7411	ISO
Santa Maria	93455	Ever-Ready Electric	805-934-7091	
Santa Rosa	95404	Asef's Appl. & Elec. Svc.	707-575-3737	
Saugus	91350	Valley Breeze Fan Co.	800-339-3267	WTS
Shingle Springs	95682	John Rozowski Const.	530-677-3850	
South Lake Tahoe	96150	Tahoe Pool Service	530-541-4958	
Stockton	95205	Risso Electric	209-466-0781	
Tarzana	91356	Hye Lighting Co.	818-345-5544	ISO, WTS
Temecula	92592	Tab Electric	951-303-0850	
Tulare	93274	Anchor Lighting	559-688-0696	WTS
Valencia	91354	Fantastic Fan Service	800-800-3871	
COLORADO				
Colorado Springs	80903	Home Lighting	719-471-3520	WTS
Denver	80229	M.D. Electric	303-288-7988	
Fort Collins	80525	Light Center	970-226-3430	WTS
Longmont	80504	LA Enterprises	800-299-0222	

TYPE OF SERVICES OFFERED:

ISH = IN-HOUSE SERVICE ISO = IN-SHOP ONLY WTS = SERVICES ONLY WHAT THEY SELL

STATE/CITY	ZIP	SERVICE CENTER NAME	PHONE	TYPE
COLORADO (Continued)				
Longmont	80501	Lumenarea.com, Inc.	303-485-6800	WTS
Loveland	80538	Fireside Lighting	970-669-3540	WTS
CONNECTICUT				
Bridgeport	06605	Federal Elect. Const. Co.	203-334-6455	
Clinton	06413	Graham Co.	800-942-5575	
East Hartford	06118	Graham Co.	800-942-5575	
Greenwich	06830	Fashion Light Center	203-869-3098	ISO, WTS
Hartford	06114	Connecticut Ltg. Center	860-249-7631	ISO
New Hartford	06057	B.W. Morse & Sons Inc.	860-379-9855	
New Haven	06511	New Grand Light	203-777-5781	ISO
Willington	06279	George Opalenik	860-684-4558	
Woodstock	06281	Randy Matteau	860-963-8979	
DELAWARE				
Dover	19901	Bruce Drajem	302-734-7737	
New Castle	19720	Eric Shurr	302-998-5147	
DISTRICT OF COLUMBIA				
Washington	20007	Fan Fair	202-342-6290	ISO
FLORIDA				
Bonita Springs	34135	Goodwin Electric	239-649-8880	
Boynton Beach	33437	C M S	561-736-0170	
Brandon	33511	Lumenair Lighting & Fan	813-653-3460	ISO
Coral Gables	33134	Michael Hansen	305-444-4111	
Davie	33330	Laserland Inc.	954-558-3743	
Fern Park	32730	Henry Electric Co.	407-834-4032	ISO
Gainesville	32608	Authorized Appliance	352-375-3886	ISO
Jacksonville	32217	Authorized Appliance Serv.	904-737-5312	ISO
Maitland	32751	Henry Electric Co.	407-834-4032	ISO
Naples	34109	Wilson Fans & Lighting	239-592-6006	ISO, WTS
Nokomis	34275	Graham Electrical Cont.	941-486-8190	
Orlando	32806	Mid-Florida Fan	407-893-6226	
Port Charlotte	33952	Jacksons Lighting	941-625-0044	WTS
S. Daytona	32119	Bob's Fix-It	386-761-4055	
Spring Hill	34606	Fan Doctor	407-893-4428	
Tallahassee	32303	Jim Laczko	850-562-4661	
Tarpon Springs	34689	Peter Lontakos	727-938-8895	
Winter Haven	33880	All About Fans	863-299-9593	
Winter Haven	33884	Cypress Ltg. Showroom	863-676-9097	
GEORGIA				
Grayson	30017	RG Tenney Electric	770-378-9255	
HAWAII				
Aiea	96701	Fan Shop Inc.	808-488-1221	WTS
Hilo	96720	Bay Lighting & Design	808-961-5688	
Kahului	96732	Read Lighting	808-871-8995	
Kailua-Kona	96740	Kona Coast House of Lights	808-329-0748	
Kaulua Kona	96740	Ku's Electronic Service	808-329-4346	
Kihei	96753	Fans Etc.	808-875-6347	
IDAHO				
Idaho Falls	83402	Home Lighting	208-523-2300	
Meridian	83642	S-K Electric, Inc.	208-941-6264	
ILLINOIS				
Centralia	62801	Baker Appliance Repair	618-532-8437	
Champaign	61821	Springfield Electric Supply	217-351-7600	ISO
Champaign	61821	Terry Gobble	217-384-5891	ISO
Chicago	60630	D & S Fan Specialist	847-824-2430	
Cornland	62519	Delmar Veech	217-364-4124	
Frankfort	60423	KKA Services	815-464-6714	
Mchenry	60051	Northwest Electrical	815-363-1800	
Mokena	60448	KKA Services	815-464-6714	
Normal	61761	Kirk Small Appliance	309-452-5248	ISO
Princeton	61356	Elmore Electric Inc.	815-643-2354	
Quincy	62305	Heintz Lighting Center	217-223-0101	
Smithton	62285	John Hassenstab	618-236-3018	
Trenton	62293	Light Brite Distributing	618-224-7314	
Urbana	61801	Terry Gobble	217-384-5891	ISO
Yorkville	60560	Unified Supply, Inc.	630-553-0660	
INDIANA				
Evansville	47711	Michael Baxter	812-453-6498	
Fort Wayne	46805	Carl Smith	260-484-7295	
Greenfield	46140	D & D Repair	317-467-0600	
Indianapolis	46222	Indiana Lighting Center	317-293-9333	ISO
Valparaiso	46383	D & K Electric	219-464-7576	



STATE/CITY	ZIP	SERVICE CENTER NAME	PHONE	TYPE	STATE/CITY	ZIP	SERVICE CENTER NAME	PHONE	TYPE
IOWA					MONTANA (Continued)				
Carroll	51401	J & L Electric Inc.	712-792-2444	ISO	Missoula	59801	Western Montana Lighting Supply	406-543-7166	ISO
Cedar Rapids	52404	Acme Electric Company	319-365-8677		NEBRASKA				
Coralville	52241	Ralston Creek	319-351-2189	ISO, WTS	Grand Island	68803	Quality Sew & Vac	308-382-7310	ISO
Davenport	52803	Shaw Electric	563-323-3611		Lincoln	68510	Lincoln Lighting Center	402-476-1297	
Des Moines	50311	Advanced Lighting	515-255-5009	WTS	Norfolk	68701	The Power Station	402-371-6671	
Monticello	52310	Rem Electric	319-465-3346		Omaha	68104	D & L Electronics	402-571-5233	
Sioux Center	51250	Hills Home Systems	712-722-4905		Omaha	68144	Oak Hills Electric Inc.	402-691-4567	
Sioux City	51106	Diversified Electronics	712-276-1034		NEVADA				
KANSAS					Henderson	89015	KS & S Electric, LLC	702-222-9306	
Emporia	66801	C.A.P.	620-342-0448	IHS	Las Vegas	89119	Fanco	702-898-8522	ISO
Lenexa	66215	Rensen House Of Lights	913-888-0888	ISO	Sparks	89431	Eagle Electric, Inc.	775-356-7300	
Manhattan	66502	Endacott Lighting	785-776-4472		NEW HAMPSHIRE				
Overland Park	66213	Kal Electric	913-897-6767		Nashua	03060	Affordable Fans Etc.	603-759-8332	
Overland Park	66210	Randy Russell	913-338-5330		Newmarket	03857	Edward Heine	603-659-5999	
Overland Park	66223	Western Chandelier Co.	913-685-2000		NEW JERSEY				
Overland Park	66212	Wilson Fans & Lighting	913-642-1500		Chester	07930	Chester Lighting, Inc.	908-879-7200	WTS
Salina	67401	Salina Appliance Showroom	785-827-1420		Hillsborough	08844	Top Line Electric	908-431-1888	IHS
Wichita	67208	Accent Lighting	316-636-1278		Jackson	08527	Robert Rolzhausen	732-363-3729	
KENTUCKY					Linwood	08221	Jack Breslau	609-601-1797	
Louisville	40205	Kaelins, Inc.	502-454-8938		Morris Plains	07950	Manny Herrera	973-993-1137	
LOUISIANA					Mullica Hill	08062	Stephen Rice	856-223-8645	
Baton Rouge	70815	Total Home Service	225-272-7725	ISO	Park Ridge	07656	Krell Lighting	201-391-7685	WTS
Houma	70363	Gulf South Armature Inc.	985-872-0486		Randolph	07869	Anthony Makomaski	908-475-5569	
Lafayette	70501	Acadia Service Co.	337-233-8910		Thorofare	08086	Harry R. Habicht	856-845-2541	
Lake Charles	70601	Josephs Electrical Center	337-436-4930		Trenton	08619	Wiring Unlimited	609-584-1122	
Metairie	70006	Romaine's	504-887-7077		W. Long Branch	07764	No Shorts Electric	732-222-4228	ISO
Monroe	71201	Albert Surlico	318-699-0619	ISO	Washington	07882	C.P. Orlando	908-689-4750	
New Iberia	70560	Walet's Inc.	337-364-7486	ISO	NEW MEXICO				
MAINE					Albuquerque	87112	A-1 Lamp Doctor	505-296-5050	
South Portland	04106	T.A. Napolitano Inc.	207-799-0538		Albuquerque	87109	B-Electric Inc.	505-828-0241	
MARYLAND					Albuquerque	87123	Frank's Electric LLC	505-293-6724	ISO
Forestville	20747	Burgess Lighting & Dist.	301-568-8000	ISO, WTS	NEW YORK				
Frederick	21704	GL Fan Service	301-831-4925	IHS	Amherst	14226	Royalite Lighting	716-832-1492	ISO
Fulton	20759	GL Fan Service	301-831-4925	IHS	Amherst	14228	Shanor Lighting Center	716-691-3622	ISO
White Hall	21161	BT Electric	410-329-6353		Bedford Hills	10507	Bedford Ltg	914-666-0680	ISO
MASSACHUSETTS					Brooklyn	11204	Jerry Piccolino/J&R Svc.	718-259-1789	
Belmont	02478	H.O Electric	617-489-6324	IHS	Brooklyn	11219	Main Lamp Corp.	718-436-8500	ISO
Bridgewater	02324	Biltcliffe Electric	508-697-7630	ISO	Brooklyn	11223	Manhattan Lights	718-998-1111	
Cochituate	01778	J.G. Electric Co. Inc.	508-653-3042	ISO	Buffalo	14206	Craftmasters Servicercenter	716-893-9557	
Danvers	01923	Plaza Lighting	978-774-7801	ISO	Buffalo	14215	The Fan Collection, Inc.	716-839-2447	ISO
Dennis	02638	Rick Sexton	508-385-7536		Carle Place	11514	Elements	516-747-4748	ISO
Natick	01760	J.G. Electric Co Inc.	508-653-3042	ISO	Commack	11725	Air-Tek	631-499-1854	ISO
New Bedford	02740	Vander Electric & Equipment	508-993-6383	ISO	Commack	11725	Turnpike Appliance	631-499-3355	
Orleans	02653	Associated Electrical	508-255-4589		East Meadow	11554	C.D. Service	516-538-3481	
S. Attleboro	02703	A J Electric	508-761-5021		Glens Falls	12801	Dean Electric	518-792-4781	
W. Springfield	01089	Jalbert Electric	413-734-4976		Hastings	13076	Electrical Work By Marty	315-668-0220	
Worcester	01603	Edward A. Tortora	508-755-3735		Long Beach	11561	Nick's Improvement Company	516-659-8989	
MICHIGAN					Lynbrook	11563	Shaderite-PZ Repair	516-593-8973	
Belleville	48111	Mike Ayerst	734-699-9698		New York	10003	Superior Light & Fan	212-677-9191	
Birmingham	48009	21st Century Electric	248-645-6464		Newburgh	12550	J D Parrrella Electric	845-562-4112	
Grand Rapids	49512	Grand Rapids Lighting Ctr.	616-949-4931	ISO, WTS	Plainview	11803	Joseph Gottdank	516-932-7618	
Howell	48855	Lightning Elec. Inc.	810-227-3375		Poughkeepsie	12601	Mannino Electric Inc.	845-452-3520	ISO
Lansing	48906	Integrity Electric Inc.	517-484-0300		Queensbury	12804	Dean Electric	518-792-4781	
Lansing	48917	Largent Enterprises	517-327-6161		Rego Park	11374	Mark Ralin	718-896-7844	
Portage	49024	Hodgson Light & Log	800-451-0860	WTS	Rochester	14620	Cam Electric	585-271-8560	
Traverse City	49686	Lighting & Fan Service	231-938-1332		Schenectady	12303	Frank Salvatore	518-355-5789	
MINNESOTA					Shokan	12481	Olive Fans & Lighting	845-657-5823	
Baxter	56425	The Light Depot	218-829-0770	ISO	Staten Island	10301	Frank Ragucci	718-273-5518	
Burnsville	55336	Fan Man	952-898-2754	ISO	Staten Island	10312	Joe Valletutti Jr.	718-608-9008	
Eden Prairie	55344	Fan Man	952-941-9243	ISO	Staten Island	10304	V & P Service Co.	917-751-2562	
Maplewood	55109	North Country Electric	651-486-7099		Troy	12180	Troy Light Company	518-274-6931	ISO
Minneapolis	55422	Leo's Elec. Sales & Service	763-546-5625		Yonkers	10704	Jay D. Kosack	914-237-9051	
Minneapolis	55411	Penn Elec. Motor Service	612-588-5333		NORTH CAROLINA				
Rochester	55906	Kroupa's Electronics	507-361-1280		Charlotte	28205	Efird's Interiors Inc.	704-376-5648	ISO
MISSISSIPPI					Charlotte	28203	Simpsons Lighting	704-376-5463	WTS
Madison	39110	Jackson Service Ctr.	601-856-9469		Hickory	28602	Efird's Interiors Inc.	828-322-2203	ISO
MISSOURI					Salisbury	28146	Hauss Electrical Svc.	704-637-7774	
Branson	65616	The Light House Gallery/Loyds	417-334-2171	ISO	NORTH DAKOTA				
Springfield	65807	The Light House Gallery/Loyds	417-334-2171	ISO	Fargo	58103	JDP Electric Inc.	701-293-0441	
St. Louis	63123	Leinweber Service Co.	314-892-8177		OHIO				
MONTANA					Canton	44706	Appliance Parts Co.	330-453-8077	ISO
Helena	59601	Supreme Lighting	406-442-8200		Cleveland	44109	Westside Lighting Ctr.	216-459-1970	
Kalispell	59901	Lasalle Lighting	406-752-2424		Columbus	43231	The Lamp Lighter	614-891-7940	
					Dayton	45419	Larkin Electric Co.	937-294-4115	

STATE/CITY	ZIP	SERVICE CENTER NAME	PHONE	TYPE
OHIO (Continued)				
Dayton	45459	Ohio Lamp & Fixture Co.	937-439-0822	ISO
Galena	43021	Certified Systems	614-799-0878	
Loveland	45140	Hank Grinshpan	513-683-8666	
Maumee	43537	K.O.V. Electronic Repair	419-865-8893	
North Lima	44452	Joe Dickey Electric	330-549-3976	
North Olmsted	44070	Chandeller Shack Inc.	440-777-6969	ISO
OKLAHOMA				
Oklahoma City	73105	Appliance Service By CK	405-525-8862	
Oklahoma City	73127	James Lighting Inc.	405-947-6663	
OREGON				
Portland	97225	Sylvan Electronics Inc.	800-473-1244	ISO
PENNSYLVANIA				
Allentown	18105	Lighting Fixture & Supply	610-435-9691	
Allentown	18102	Scholl's Electric	610-435-5876	
Conshohocken	19428	Kay Elec. Supply	800-331-5111	ISO
Downingtown	19335	Tobias Electric	610-942-4000	IHS
Drexel Hill	19026	Patrick Hastings	610-853-2709	
Easton	18045	Primrose Electric	610-258-1359	
Fairless Hills	19030	Astro Lighting Galleries	215-943-8650	ISO
Harrisburg	17111	Yale Electric Supply Co.	717-233-8401	ISO
Hopwood	15445	George R. Smalley Inc.	724-437-1927	
Lancaster	17601	S. Dean's Electric	717-285-4545	
Philadelphia	19111	Klaus Otte	215-745-4266	
Pittsburgh	15224	Mark Diulus Elec.	412-681-2553	
State College	16803	Whitehill Lighting & Supply	814-238-2449	
West Reading	19611	A TO Z Vacuum Stores	610-374-4888	WTS
Willow Grove	19090	Northwest Electric	215-659-5757	
RHODE ISLAND				
Pawtucket	02861	Wickford Appliance	401-726-4240	ISO
SOUTH CAROLINA				
Columbia	29212	Eastwind Enterprises	803-781-3267	
Goose Creek	29445	David Mims	843-514-2380	
Hanahan	29406	Bobby Lutes Electrical	843-832-2058	ISO
Ladson	29456	Bobby Lutes Electrical	843-832-2058	ISO
Myrtle Beach	29575	Ray Electric	843-293-0068	
Okatie	29909	J. Heavener & Co.	843-837-8300	
Spartanburg	29306	Bobby Jackson Electr.	864-583-6035	
Sioux Falls	57105	Lamps and Shades Inc.	605-332-6680	
Sioux Falls	57104	Mahlander's	605-336-7798	
TENNESSEE				
Brentwood	37027	Sunshine Electrical	615-371-9383	
Maryville	37803	Ben Snyder	865-385-1302	
Memphis	38111	Appliance Service Ctr.	901-324-5898	ISO
Mount Carmel	37645	Appalachian Electronics Svc.	423-357-0783	ISO
TEXAS				
Amarillo	79106	DI's Lamp & Fan Repairs	806-331-5267	
Arlington	76001	P & M Quality Const.	817-478-2004	
Austin	78757	Klock Electric	512-837-4704	
Austin	78703	Texas Ceiling Fan Shop	512-477-3132	ISO
Beaumont	77702	Fan Factory	409-833-8207	ISO
Carrollton	75006	Adfantage Ceiling Fans	972-446-9393	
Corpus Christi	78404	Brand Appliance & Microwave	512-854-1851	ISO
Dallas	75206	Lights Fantastic	214-369-1101	
Damon	77430	Gulf Coast Fan Svc.	281-495-6434	
Denton	76201	Fantasia Ceiling Fans	940-484-4222	
Denton	76201	Larry W. Goff	940-387-7304	

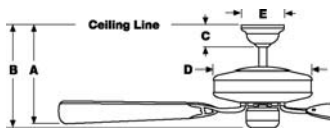
STATE/CITY	ZIP	SERVICE CENTER NAME	PHONE	TYPE
TEXAS (Continued)				
Denton	76201	Southern Comforts	940-536-1406	
Freeport	77541	Skip's Electric & Air	979-233-3903	
Harlingen	78550	The Light House	956-423-6664	WTS
Hearne	77859	Thompson Supply	979-280-5737	
Houston	77089	Bennett Fan Install. Inc.	281-484-1401	
Houston	77069	Champions Lighting	281-440-5339	ISO
Houston	77063	Lighting Plus	713-784-2440	ISO
Humble	77338	Carol's Lighting & Fan Shop	281-446-7613	ISO
Hurst	76053	Arc Fan & Lighting	817-268-2218	ISO, WTS
Kerrville	78028	Maurice Hammit	830-367-4937	
Mcallen	78504	The Light House	956-631-1155	WTS
Paris	75460	Hargis Electric	903-785-8055	
Richardson	75080	Cool Breezes	972-690-4580	
San Angelo	76903	Heritage Haus	325-655-4900	
San Antonio	78212	Ceiling Fan Service Ctr.	210-804-1362	
Tyler	75707	Charles Rains	903-566-3119	
Victoria	77904	Hall Electric	361-578-6221	
Wichita Falls	76308	Lantern House	940-692-7381	ISO
UTAH				
Layton	84040	Haruo Yoshikawa	801-546-6008	
Murray	84107	Central Electric Co. Inc.	801-467-5479	
Riverton	84065	Vern O. Francis	801-254-4178	
VERMONT				
Bolton Valley	05477	Joseph Ashley	802-434-6510	
VIRGINIA				
Burke	22015	L & S Electric Inc.	703-237-0011	
Rapidan	22733	Ceiling Fan Installations, Inc.	866-631-6565	
Richmond	23228	Fanning Elec. Svc.	804-262-3681	
Virginia Beach	23451	Fans, Lighting 'N More	757-422-3616	
Williamsburg	23185	Taproot Co.	757-229-3722	ISO
WASHINGTON				
Pasco	99301	Total Service Inc.	509-547-3799	
Spokane	99216	Brite-Way Electric	509-939-3995	
Tacoma	98404	M.G.M. Electronics	253-752-9826	
Wenatchee	98801	Sew Creative Advantage Store	509-663-5516	
Yakima	98902	Inland Lighting	509-248-4647	ISO
WEST VIRGINIA				
South Charleston	25309	Pepper Electric	304-768-8195	
Wheeling	26003	Top Hat Stove Sales	304-233-6262	
WISCONSIN				
Brookfield	53005	City Lights Design Showroom	262-781-9048	ISO, WTS
Fontana	53125	J&L Property Maint.	262-275-2345	
Green Bay	54313	Karl Devroy	920-494-6090	
La Crosse	54601	Wettstein's	608-784-5555	
Madison	53719	Madison Lighting	608-271-6911	
Milwaukee	53219	Bob's Fan Repair	414-546-2501	
CANADA				
Toronto, Ontario	M6M2P5	Zaneen Lighting Inc.	800-388-3382	
OVERSEAS				
St. Thomas, Virgin Islands	00805	Duane Loberg	304-775-2399	

PRODUCT SPECIFICATIONS

Collection: Casablanca Designer
 Model Name: Hanover
 Model Number: C8U47M

Dimensions: A = 11.45"
 B = 18"
 C = 3"
 D = 15"
 E = 5.6"

NOTE: Dimension B includes light fixture and glass.



Weight: 34 lbs.

Finishes: Cracked Walnut/Spanish Gold
 Motor: 188 x 25mm Direct Drive™
 Blade Span: 54"
 Blade Options: Any 21" badge-type blade
 Blade Iron Pitch: 14°
 No. of Blades: 4
 Technology: Versa•Touch2® W-73
 Lightbulbs: (4) 25-watt mini S-11 for uplight,
 (2) 60-watt B-10 bulbs for downlight
 (Candelabra-base)